

Aerospect SPS Stack Prediction

Precision measurement systems for
Turbine/Engine alignment



Aerospect SP-150DT Specification

General	
Post Height:	508 mm (20 in) optional 635 mm, 762 mm (25 in, 30 in)
Arm Length:	457 mm (18 in)
Granite:	762 mm x 508 mm x 152mm thick (30 in X 20 in X 6 in thick)
Worktable Height:	1016 mm (40 in)
Machine Weight:	720 lb (327 kg)
Air Bearing	
Load Capacity:	150 lb (68 kg)
Radial / Axial:	0.125 μ m (5 μ in)
Tilt Error Motion (coning):	< 0.025 μ m/25mm (< 1 μ in/in)
Tilt & Center	
Tilt Adjustment:	+/- 1°
Center Adjustment:	+/-3 mm (0.125 in)
Axis of Tilt:	51mm (2 in) above worktable
Work Table Diameter:	200 mm (8 in) optional 250 mm, 300 mm (10.6 in, 12 in)
Gage Heads (4- Std, 8- optional)*	
Cartridge Style:	0.375 in OD, +/- 1 mm (0.040 in) travel
Lever Style:	+/- 0.30mm (+/-0.012 in) travel
Ultra Small:	+/- 0.25 mm (+/- 0.010 in) travel
Measurement resolution:	0.25 μ m (10 μ in)

SPS-150DT
150 lbs capacity. Perfect for small turbine components and assemblies.

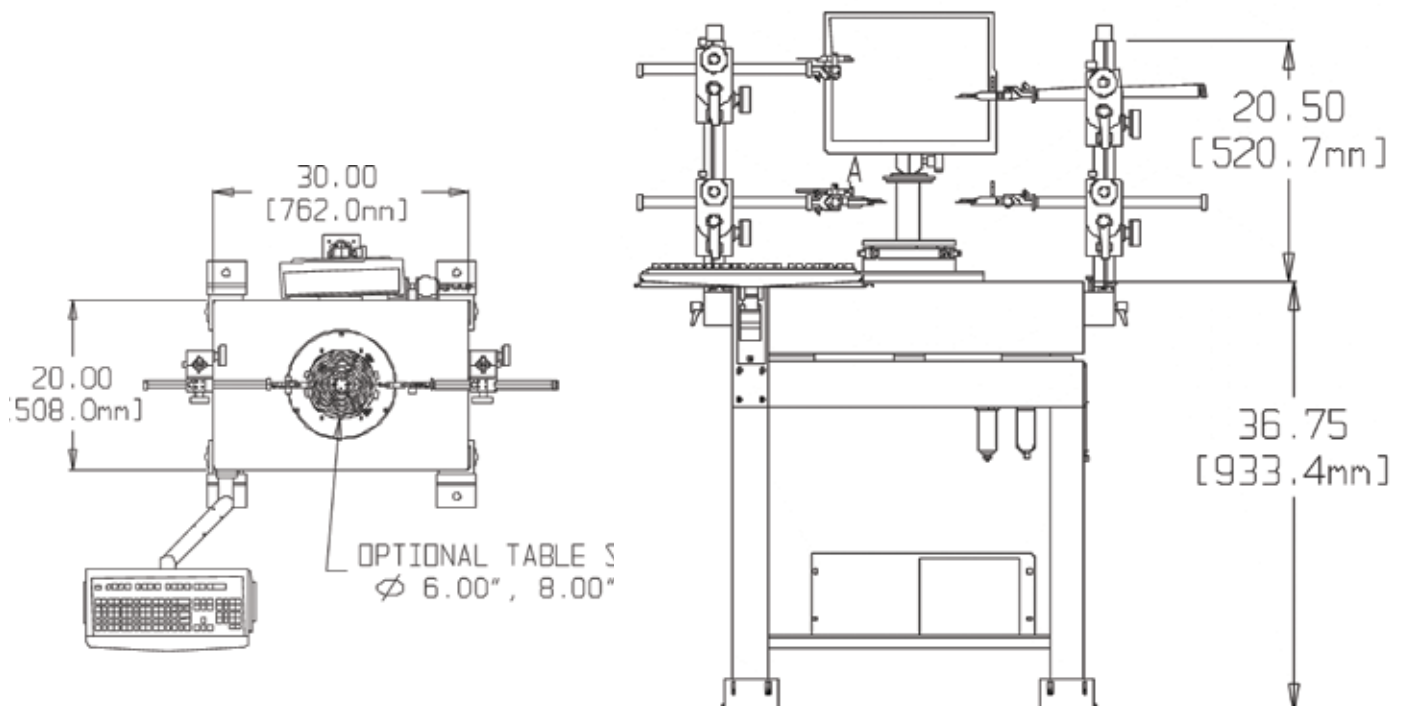
Optimize your high speed engine stacks.



Electrical	
Encoder:	1000 line
Flat screen LCD Display	
Industrial Computer	
CE Approved	
Printer included	
Power:	120VAC-50/60hz or 220 VAC-50/60hz
Power Consumption:	500VA
Air Requirements:	Pressure: 50 – 80 psig
Air Usage:	1.0 scfm @ 60 psig, (28 l/min)

*Note: Other Gage heads available upon request

Floor Plan



NOTE: AMETEK Precitech pursues a policy of continual improvement due to technical developments. We therefore reserve the right to deviate from catalog specifications.

Aerospect SPS Portable Specification



General

The SPS Portable system enables Stack prediction measurements of components or stacks. Measurements can be made on any axis of rotation, such as machine tools or balancing systems. Easy to use Aerospect software allows the creation of SP values and orientation. Industrial hardened computer, encoder wheel, and gaging electronics make for a very versatile metrology system.

Gage Heads

Cartridge Style: 0.375 in OD, +/- 1 mm (0.040 in) travel

Lever Style: +/- 0.30mm (+/-0.012 in) travel

Ultra Small: +/- 0.25 mm (+/- 0.010 in) travel

Measurement resolution: 0.25 μm (10 μin)

Note: System delivered with 4 off cartridge style gauges, other gauge heads available upon request

Electrical

Encoder: 200 line

Flat screen LCD Display

Industrial Computer

CE Approved

Printer included

NOTE: Precitech pursues a policy of continual improvement due to technical developments. We therefore reserve the right to deviate from catalog specifications.